

ZL strain relief plates

for screw assembly



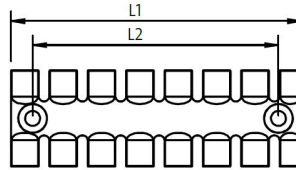
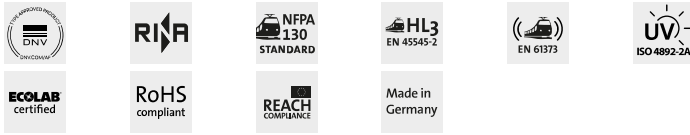
The strain relief plate ZL is used for static or dynamic applications for organising and securing cables on machines, control panels or drag chains.

The design of the strain relief unit provides secure strain relief according to EN 62444. Mount of the cables or pneumatic tubing is easily done using cable ties.

By using aluminium (ZL-AB types) or brass (ZL-MS types) nuts for the screw holes, a better fit of the strain relief plate is achieved, even in high vibration environments.

Strain relief plates ZL 03 | 04 | 05 feature different comb widths. Thus providing a multi-purpose product for various cable sizes.

For multilayer installation please use [DH spacers](#).



Specifications

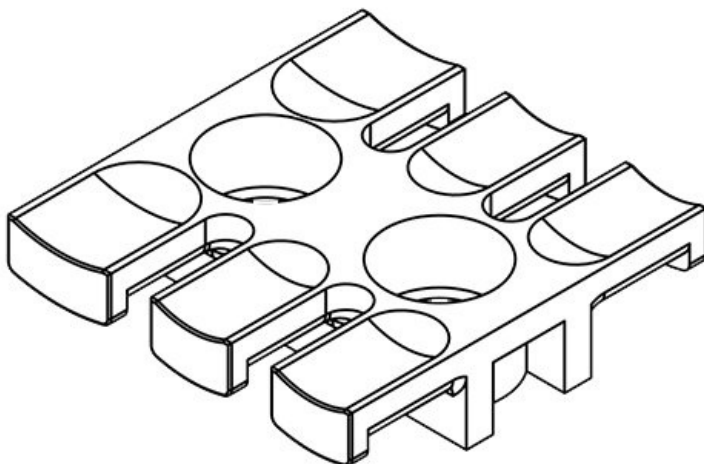
Material	Polyamide Inlay bushings: Aluminium Inlay bushings: Brass
Flame class	UL94-V0, self-extinguishing
Operating temperature	-40 C° to 140 C°
Properties	silicone free, halogen free
Mounting options	Screw type mounting

Advantages & benefits

- Strain relief according to EN 62444
- Fast and easy mounting
- Cost-effective solution
- High cable density
- Versatile utilisation

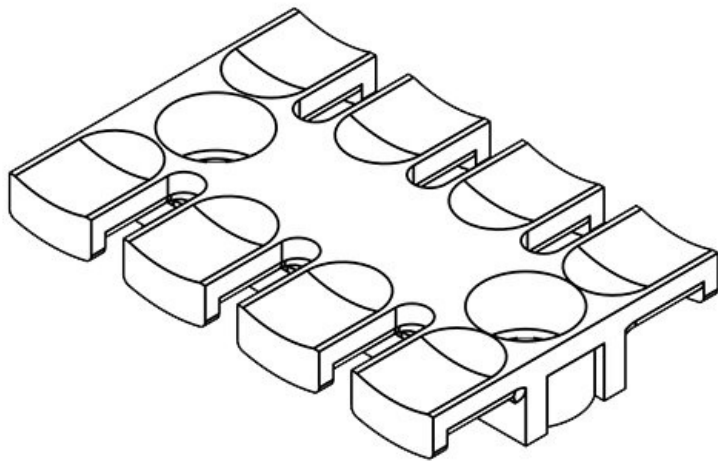
Product types & sizes

ZL 39



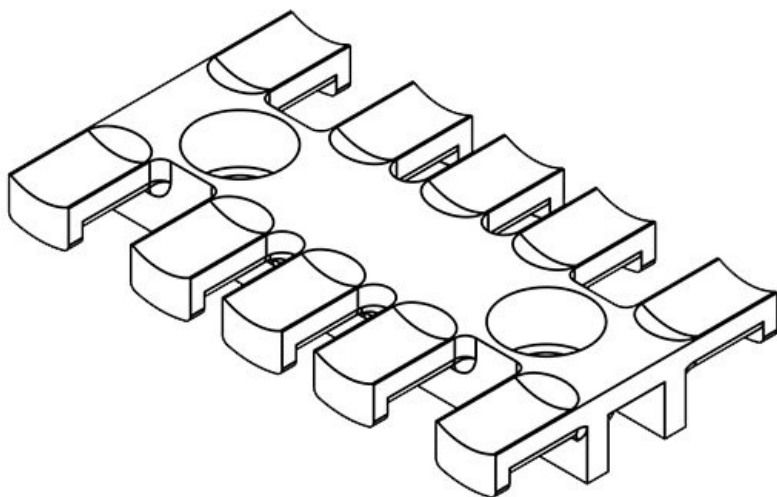
Part No.	32222	Height	10 mm
EAN	4251269300	No. of teeth	3
	837	No. of screw holes	2
Package quantity	10	Diam. of screw holes	9 mm
For max. no. of cables	3		
Length L1	38,5 mm		
Length L2	19,5 mm		
Width	40 mm		

ZL 60



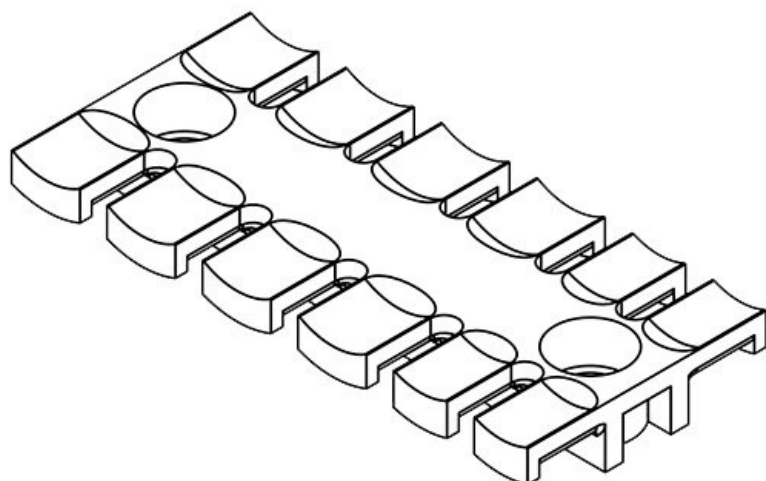
Part No.	32224	Height	10 mm
EAN	4251269300	No. of teeth	4
	844	No. of screw	2
Package quantity	10	holes	
For max. no. of	4	Diam. of screw	9 mm
cables		holes	
Length L1	59,5 mm		
Length L2	43,5 mm		
Width	40 mm		

ZL 70



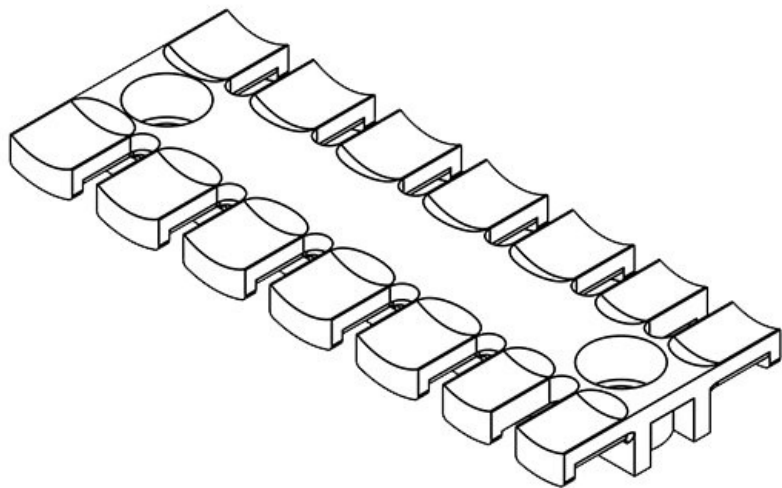
Part No.	32226	Height	10 mm
EAN	4251269300	No. of teeth	5
	851	No. of screw	2
Package quantity	10	holes	
For max. no. of	5	Diam. of screw	9 mm
cables		holes	
Length L1	69,1 mm		
Length L2	43,5 mm		
Width	40 mm		

ZL 87



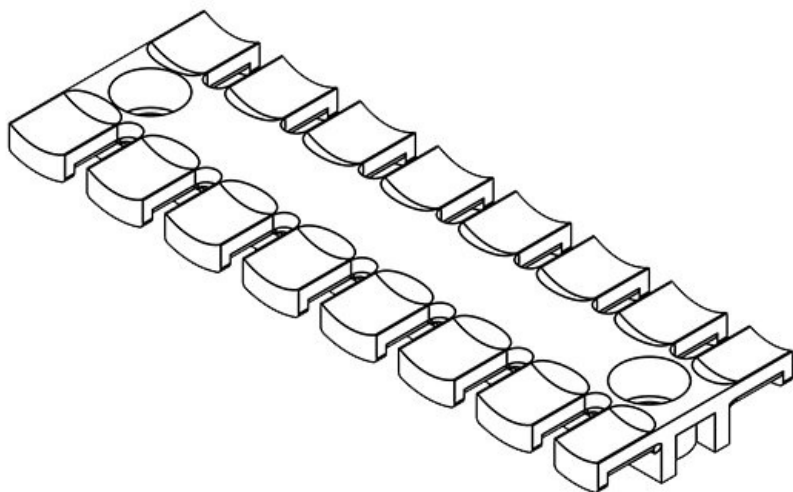
Part No.	32228	Height	10 mm
EAN	4251269300	No. of teeth	6
	868	No. of screw	2
Package quantity	10	holes	
For max. no. of	6	Diam. of screw	9 mm
cables		holes	
Length L1	86,5 mm		
Length L2	68 mm		
Width	40 mm		

ZL 103



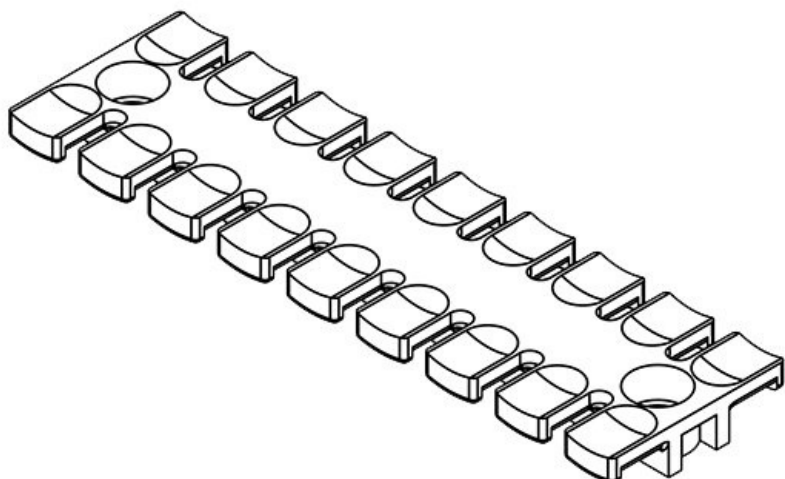
Part No.	32230	Height	10 mm
EAN	4251269300	No. of teeth	7
	875	No. of screw	2
Package quantity	10	holes	
For max. no. of cables	7	Diam. of screw	9 mm
Length L1	102 mm	holes	
Length L2	84 mm		
Width	40 mm		

ZL 121



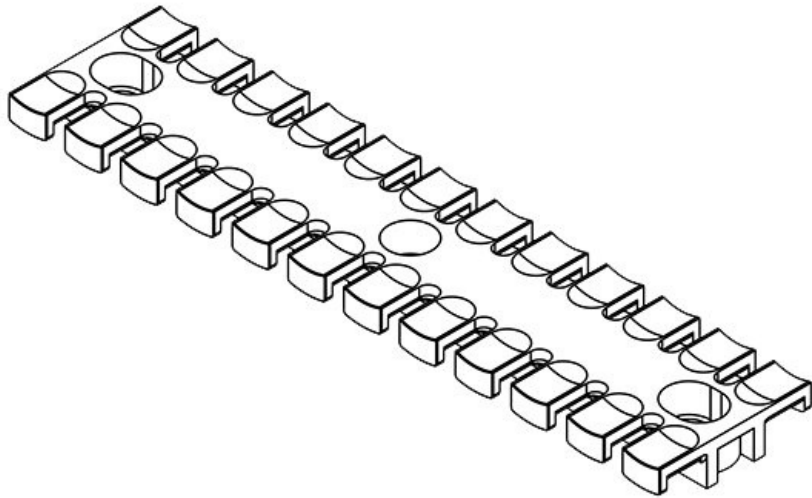
Part No.	32232	Height	10 mm
EAN	4251269300	No. of teeth	8
	882	No. of screw	2
Package quantity	10	holes	
For max. no. of cables	8	Diam. of screw	9 mm
Length L1	121 mm	holes	
Length L2	102,5 mm		
Width	40 mm		

ZL 140



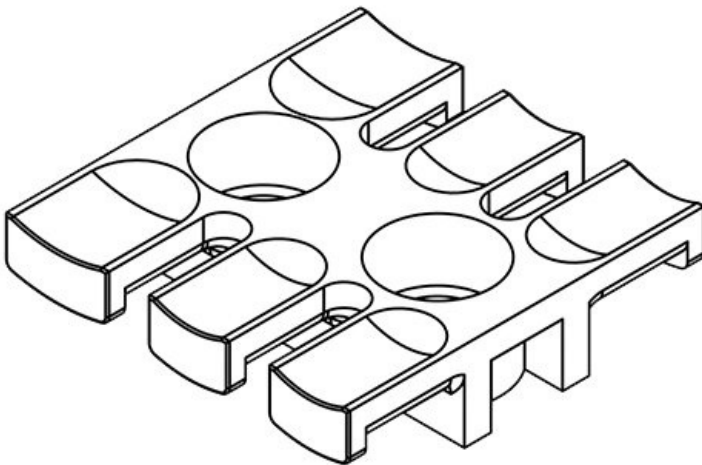
Part No.	32234	Height	10 mm
EAN	4251269300	No. of teeth	9
	899	No. of screw	2
Package quantity	10	holes	
For max. no. of cables	9	Diam. of screw	9 mm
Length L1	139,5 mm	holes	
Length L2	121 mm		
Width	40 mm		

ZL 180



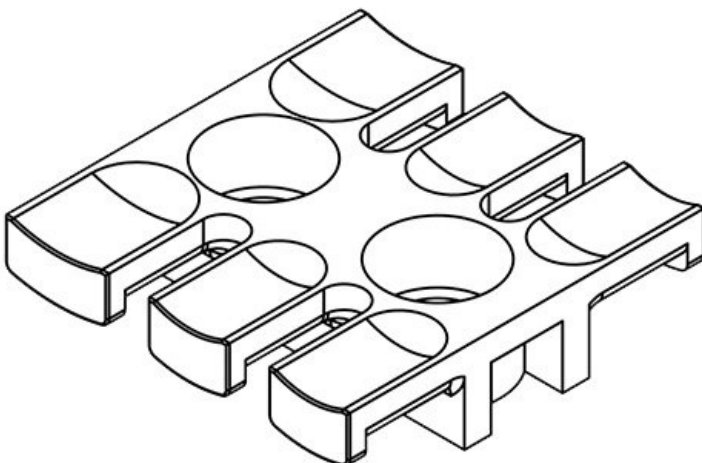
Part No.	32236	Height	11 mm
EAN	4251269300	No. of teeth	12
	905	No. of screw	3
Package quantity	10	holes	
For max. no. of cables	12	Diam. of screw	9 mm
Length L1	180 mm	holes	
Length L2	157 mm		
Width	42 mm		

ZL 39 AB M4

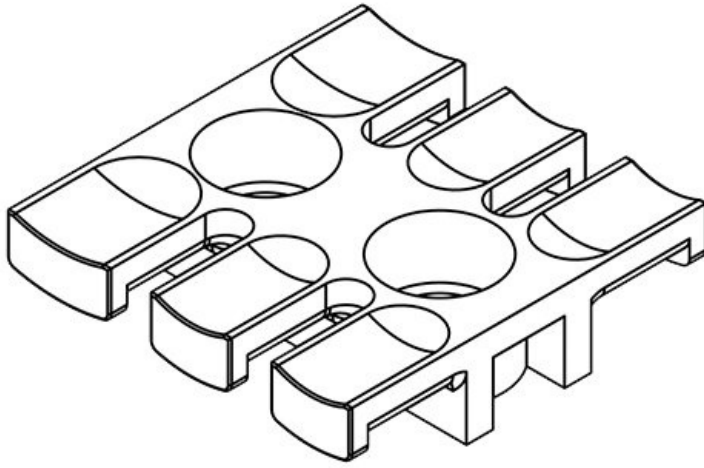


Part No.	32270	Height	10,2 mm
EAN	4251269301	Mounting height	10,2 mm
	001	No. of teeth	3
Package quantity	10	No. of screw	2
For max. no. of cables	3	holes	
Length L1	38,5 mm	Insert bushing material	Aluminium
Length L2	19,5 mm	Diam. of screw	4,1 mm
Width	40 mm	holes	

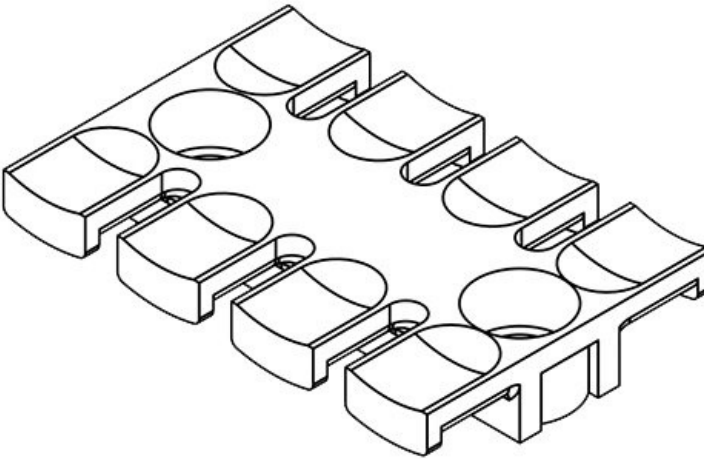
ZL 39 AB M5



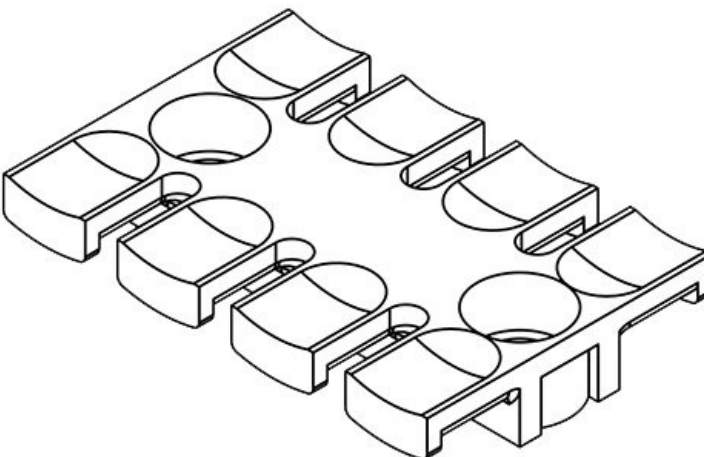
Part No.	32280	Height	10,2 mm
EAN	4251269301	Mounting height	10,2 mm
	087	No. of teeth	3
Package quantity	10	No. of screw	2
For max. no. of cables	3	holes	
Length L1	38,5 mm	Insert bushing material	Aluminium
Length L2	19,5 mm	Diam. of screw	5,2 mm
Width	40 mm	holes	

ZL 39 AB M6

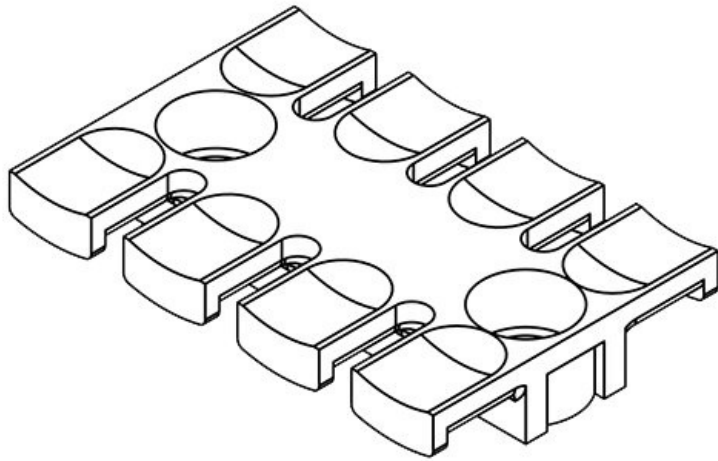
Part No.	32290	Height	10,2 mm
EAN	4251269301	Mounting height	10,2 mm
	162		
Package quantity	10	No. of teeth	3
For max. no. of cables	3	No. of screw holes	2
Length L1	38,5 mm	Insert bushing material	Aluminium
Length L2	19,5 mm	Diam. of screw holes	6,2 mm
Width	40 mm		

ZL 60 AB M4

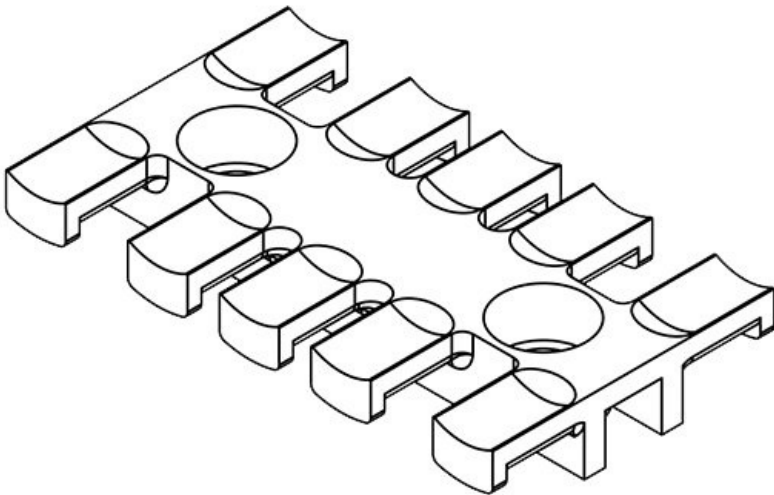
Part No.	32271	Height	10,2 mm
EAN	4251269301	Mounting height	10,2 mm
	018		
Package quantity	10	No. of teeth	4
For max. no. of cables	4	No. of screw holes	2
Length L1	59,5 mm	Insert bushing material	Aluminium
Length L2	43,5 mm	Diam. of screw holes	4,1 mm
Width	40 mm		

ZL 60 AB M5

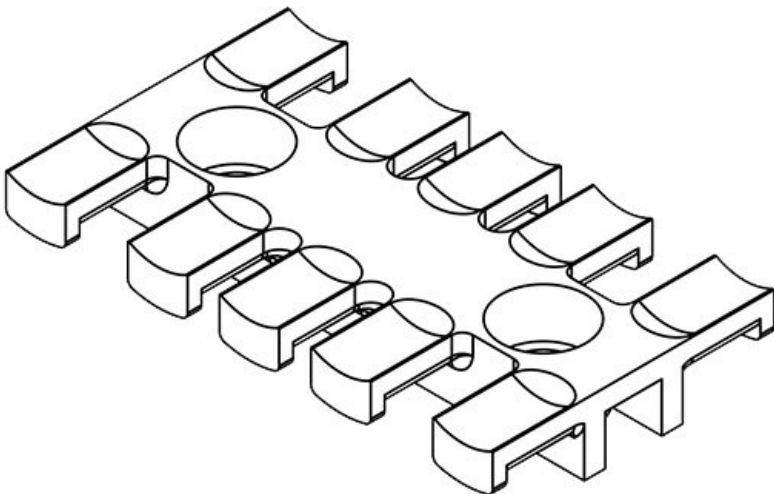
Part No.	32281	Height	10,2 mm
EAN	4251269301	Mounting height	10,2 mm
	094		
Package quantity	10	No. of teeth	4
For max. no. of cables	4	No. of screw holes	2
Length L1	59,5 mm	Insert bushing material	Aluminium
Length L2	43,5 mm	Diam. of screw holes	5,2 mm
Width	40 mm		

ZL 60 AB M6

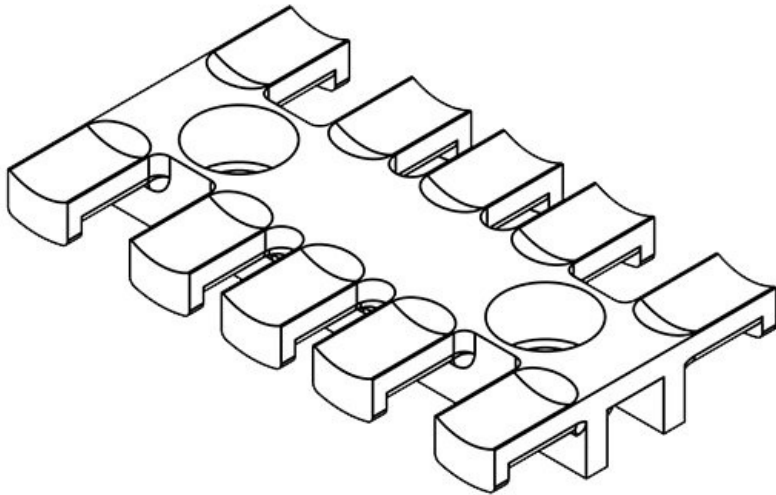
Part No.	32291	Height	10,2 mm
EAN	4251269301	Mounting height	10,2 mm
Package quantity	10	No. of teeth	4
For max. no. of cables	4	No. of screw holes	2
Length L1	59,4 mm	Insert bushing material	Aluminium
Length L2	43,5 mm	Diam. of screw holes	6,2 mm
Width	40 mm		

ZL 70 AB M4

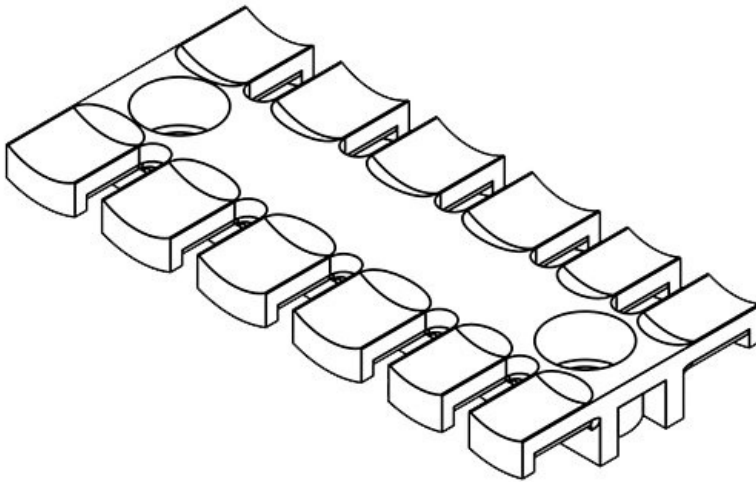
Part No.	32272	Height	10,2 mm
EAN	4251269301	Mounting height	10,2 mm
Package quantity	10	No. of teeth	5
For max. no. of cables	5	No. of screw holes	2
Length L1	69,1 mm	Insert bushing material	Aluminium
Length L2	43,5 mm	Diam. of screw holes	4,1 mm
Width	40 mm		

ZL 70 AB M5

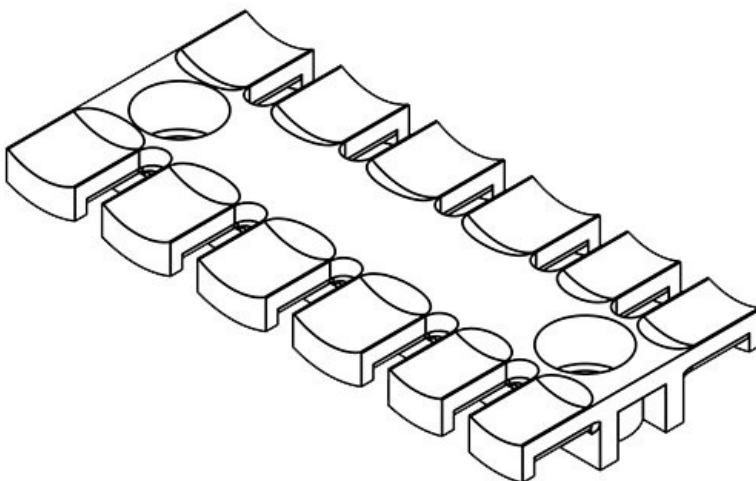
Part No.	32282	Height	10,2 mm
EAN	4251269301	Mounting height	10,2 mm
Package quantity	10	No. of teeth	5
For max. no. of cables	5	No. of screw holes	2
Length L1	69,1 mm	Insert bushing material	Aluminium
Length L2	43,5 mm	Diam. of screw holes	5,2 mm
Width	40 mm		

ZL 70 AB M6

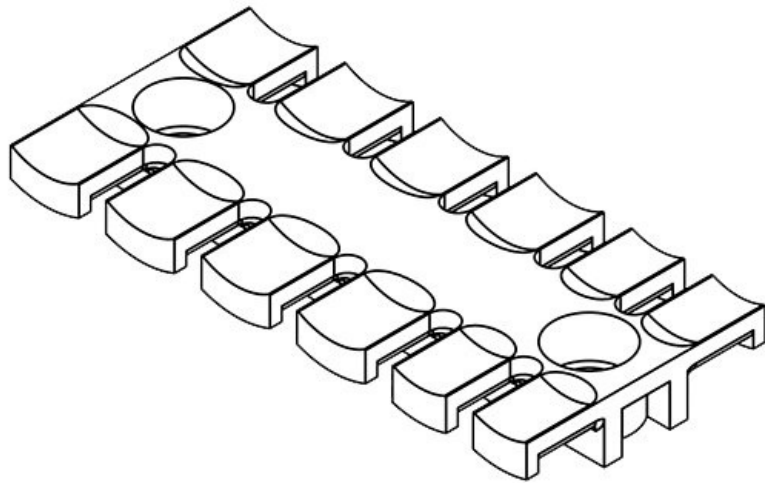
Part No.	32292	Height	10,2 mm
EAN	4251269301	Mounting height	10,2 mm
Package quantity	10	No. of teeth	5
For max. no. of cables	5	No. of screw holes	2
Length L1	69,1 mm	Insert bushing material	Aluminium
Length L2	43,5 mm	Diam. of screw holes	6,2 mm
Width	40 mm		

ZL 87 AB M4

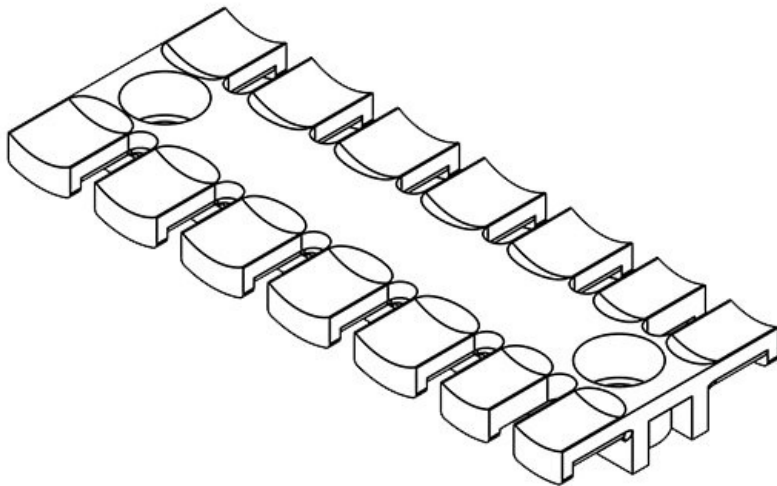
Part No.	32273	Height	10,2 mm
EAN	4251269301	Mounting height	10,2 mm
Package quantity	10	No. of teeth	6
For max. no. of cables	6	No. of screw holes	2
Length L1	86,5 mm	Insert bushing material	Aluminium
Length L2	68 mm	Diam. of screw holes	4,1 mm
Width	40 mm		

ZL 87 AB M5

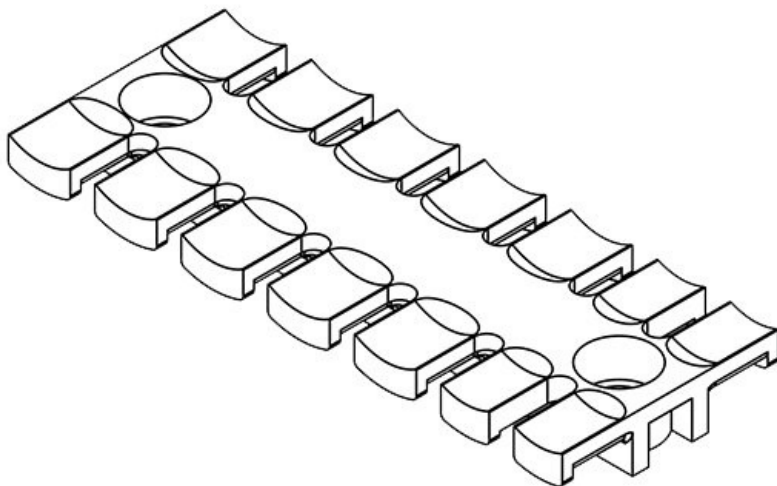
Part No.	32283	Height	10,2 mm
EAN	4251269301	Mounting height	10,2 mm
Package quantity	10	No. of teeth	6
For max. no. of cables	6	No. of screw holes	2
Length L1	86,5 mm	Insert bushing material	Aluminium
Length L2	68 mm	Diam. of screw holes	5,2 mm
Width	40 mm		

ZL 87 AB M6

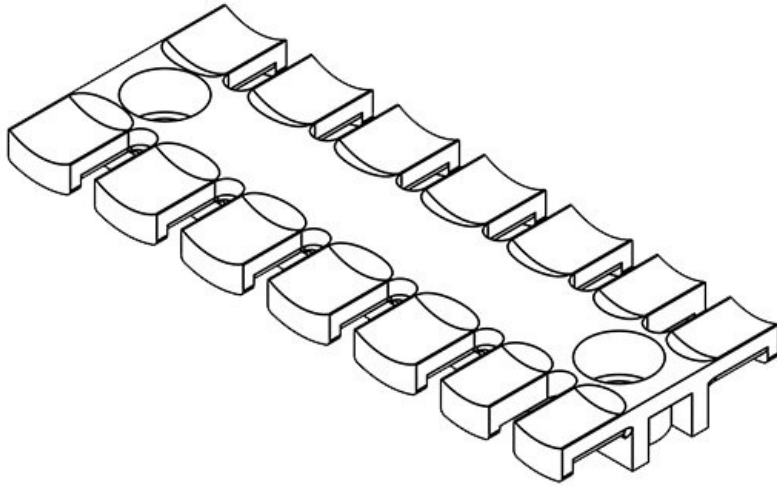
Part No.	32293	Height	10,2 mm
EAN	4251269301	Mounting height	10,2 mm
Package quantity	10	No. of teeth	6
For max. no. of cables	6	No. of screw holes	2
Length L1	86,5 mm	Insert bushing material	Aluminium
Length L2	68 mm	Diam. of screw holes	6,2 mm
Width	40 mm		

ZL 103 AB M4

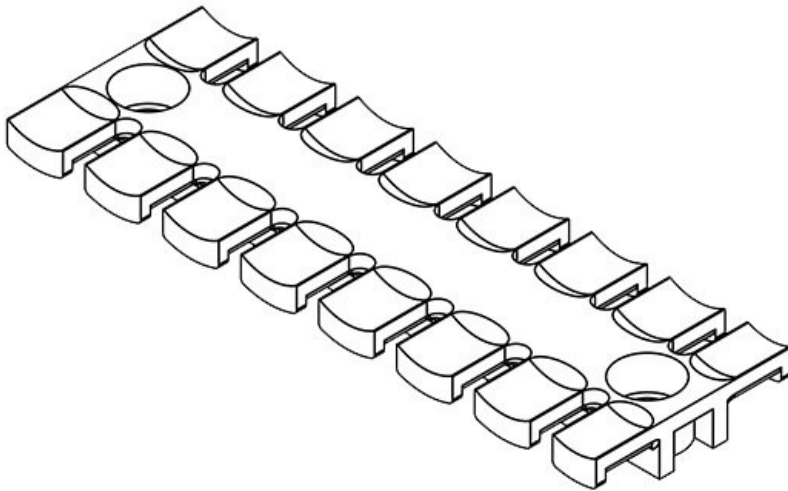
Part No.	32275	Height	10,2 mm
EAN	4251269301	Mounting height	10,2 mm
Package quantity	10	No. of teeth	7
For max. no. of cables	7	No. of screw holes	2
Length L1	102,5 mm	Insert bushing material	Aluminium
Length L2	84 mm	Diam. of screw holes	4,1 mm
Width	40 mm		

ZL 103 AB M5

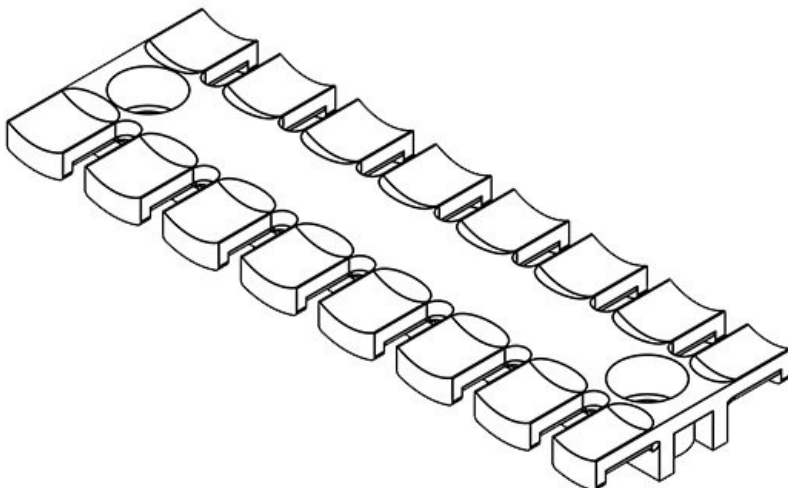
Part No.	32284	Height	10,2 mm
EAN	4251269301	Mounting height	10,2 mm
Package quantity	10	No. of teeth	7
For max. no. of cables	7	No. of screw holes	2
Length L1	102,5 mm	Insert bushing material	Aluminium
Length L2	84 mm	Diam. of screw holes	5,2 mm
Width	40 mm		

ZL 103 AB M6

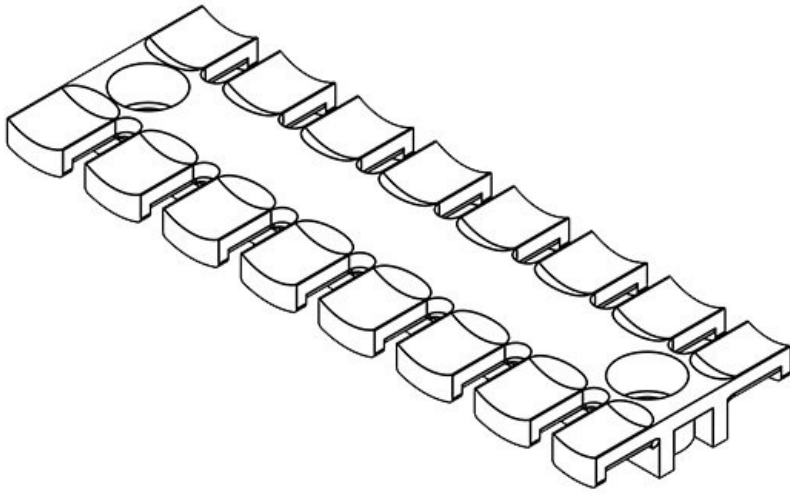
Part No.	32294	Height	10,2 mm
EAN	4251269301	Mounting height	10,2 mm
Package quantity	10	No. of teeth	7
For max. no. of cables	7	No. of screw holes	2
Length L1	102,5 mm	Insert bushing material	Aluminium
Length L2	84 mm	Diam. of screw holes	6,2 mm
Width	40 mm		

ZL 121 AB M4

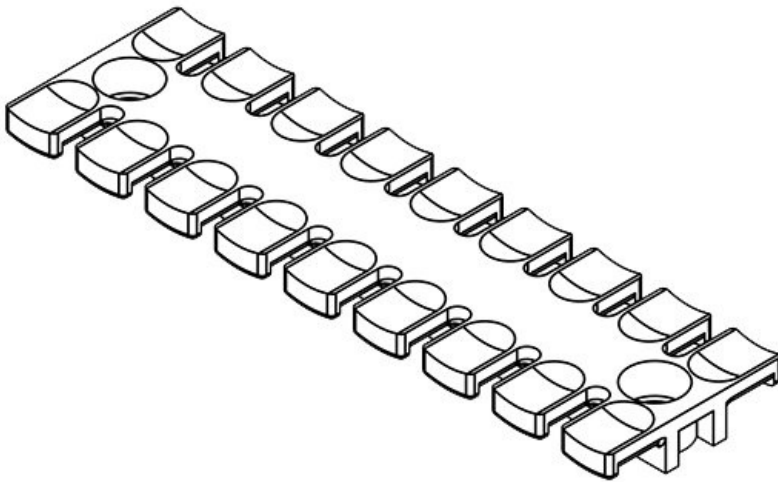
Part No.	32277	Height	10,2 mm
EAN	4251269301	Mounting height	10,2 mm
Package quantity	10	No. of teeth	8
For max. no. of cables	8	No. of screw holes	2
Length L1	121 mm	Insert bushing material	Aluminium
Length L2	102,5 mm	Diam. of screw holes	4,1 mm
Width	40 mm		

ZL 121 AB M5

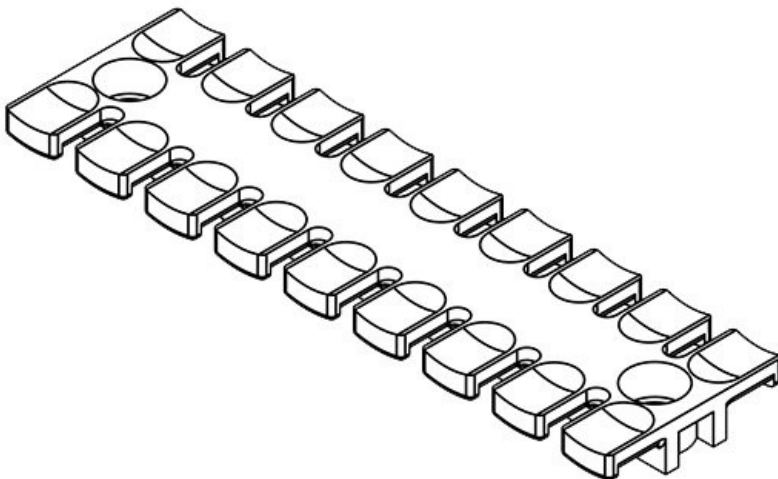
Part No.	32285	Height	10,2 mm
EAN	4251269301	Mounting height	10,2 mm
Package quantity	10	No. of teeth	8
For max. no. of cables	8	No. of screw holes	2
Length L1	121 mm	Insert bushing material	Aluminium
Length L2	102,5 mm	Diam. of screw holes	5,2 mm
Width	40 mm		

ZL 121 AB M6

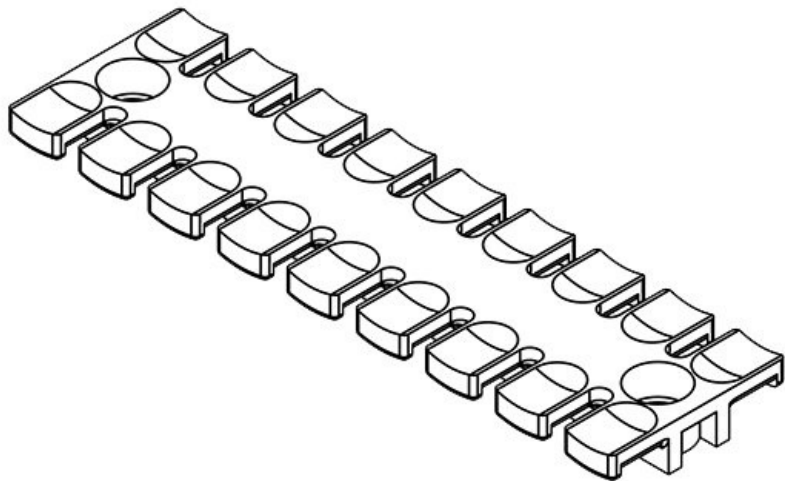
Part No.	32295	Height	10,2 mm
EAN	4251269301	Mounting height	10,2 mm
Package quantity	10	No. of teeth	8
For max. no. of cables	8	No. of screw holes	2
Length L1	121 mm	Insert bushing material	Aluminium
Length L2	102,5 mm	Diam. of screw holes	6,2 mm
Width	40 mm		

ZL 140 AB M4

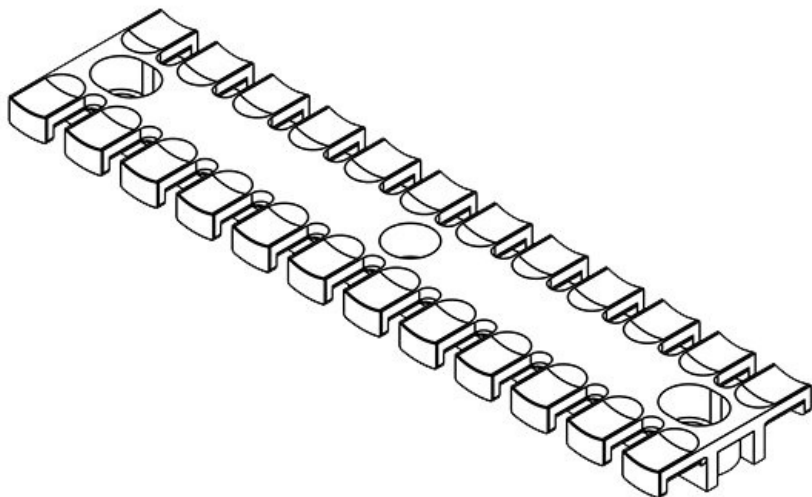
Part No.	32274	Height	10,2 mm
EAN	4251269301	Mounting height	10,2 mm
Package quantity	10	No. of teeth	9
For max. no. of cables	9	No. of screw holes	2
Length L1	139,5 mm	Insert bushing material	Aluminium
Length L2	121 mm	Diam. of screw holes	4,1 mm
Width	40 mm		

ZL 140 AB M5

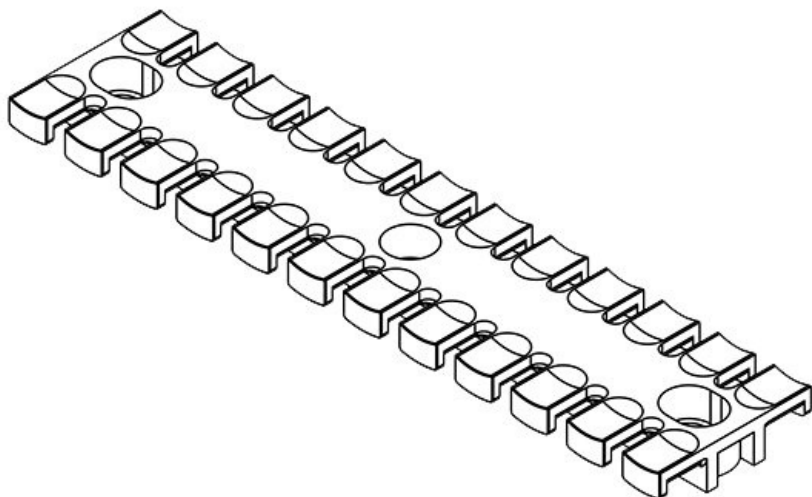
Part No.	32286	Height	10,2 mm
EAN	4251269301	Mounting height	10,2 mm
Package quantity	10	No. of teeth	9
For max. no. of cables	9	No. of screw holes	2
Length L1	139,5 mm	Insert bushing material	Aluminium
Length L2	121 mm	Diam. of screw holes	5,2 mm
Width	40 mm		

ZL 140 AB M6

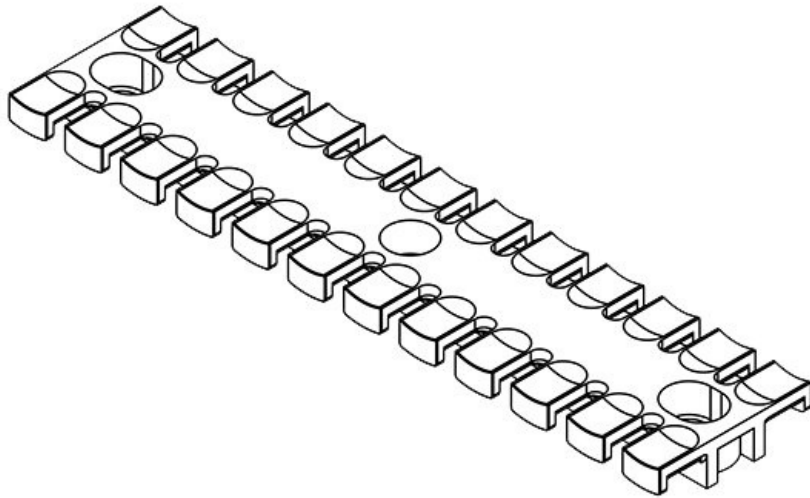
Part No.	32296	Height	10,2 mm
EAN	4251269301	Mounting height	10,2 mm
Package quantity	10	No. of teeth	9
For max. no. of cables	9	No. of screw holes	2
Length L1	139,5 mm	Insert bushing material	Aluminium
Length L2	121 mm	Diam. of screw holes	6,2 mm
Width	40 mm		

ZL 180 AB M4

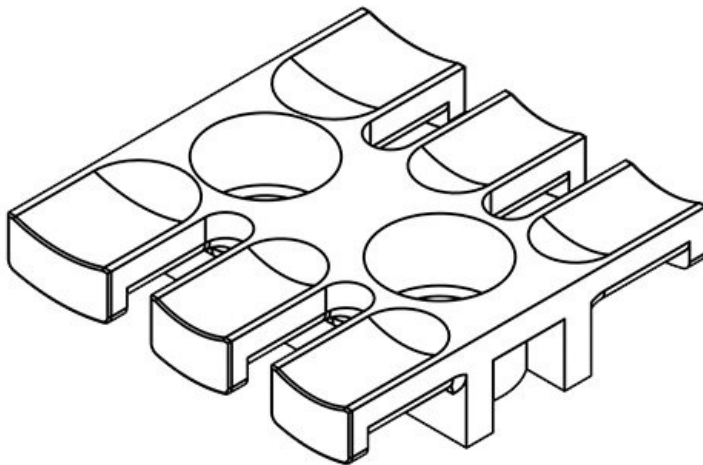
Part No.	32276	Height	11 mm
EAN	4251269301	Mounting height	11 mm
Package quantity	10	No. of teeth	12
For max. no. of cables	12	No. of screw holes	3
Length L1	180 mm	Insert bushing material	Aluminium
Length L2	157 mm	Diam. of screw holes	4,1 mm
Width	42 mm		

ZL 180 AB M5

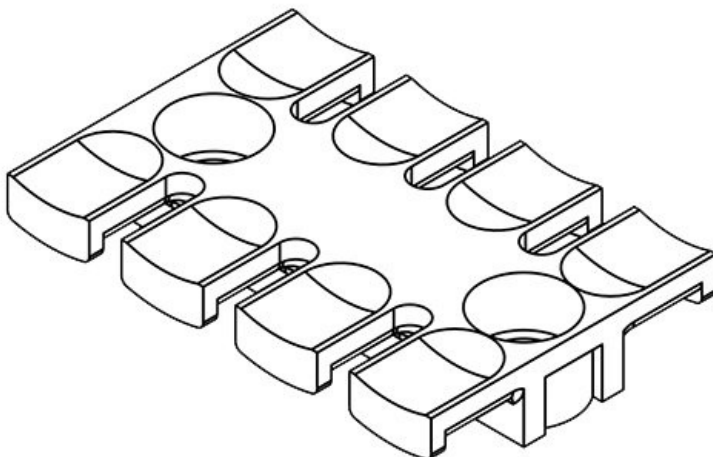
Part No.	32287	Height	11 mm
EAN	4251269301	Mounting height	11 mm
Package quantity	10	No. of teeth	12
For max. no. of cables	12	No. of screw holes	3
Length L1	180 mm	Insert bushing material	Aluminium
Length L2	157 mm	Diam. of screw holes	5,2 mm
Width	42 mm		

ZL 180 AB M6

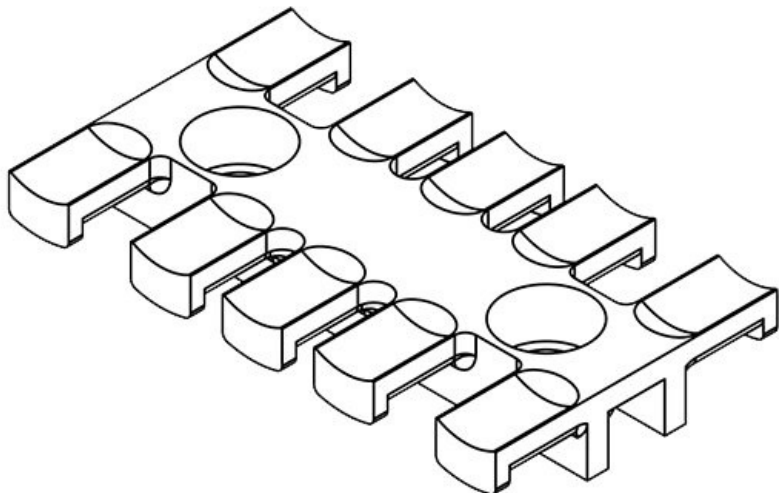
Part No.	32297	Height	11 mm
EAN	4251269301	Mounting height	11 mm
Package quantity	10	No. of teeth	12
For max. no. of cables	12	No. of screw holes	3
Length L1	180 mm	Insert bushing material	Aluminium
Length L2	157 mm	Diam. of screw holes	6,2 mm
Width	42 mm		

ZL 39 MS M5

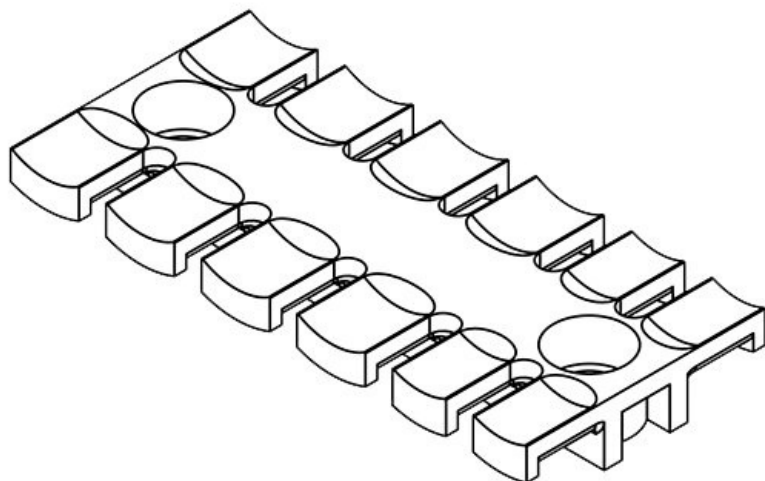
Part No.	32360	Height	10,2 mm
EAN	4251269301	Mounting height	10,2 mm
Package quantity	10	No. of teeth	3
For max. no. of cables	3	Insert bushing material	Brass
Length L1	38,5 mm	No. of screw holes	2
Length L2	19,5 mm	Diam. of screw holes	5,2 mm
Width	40 mm		

ZL 60 MS M5

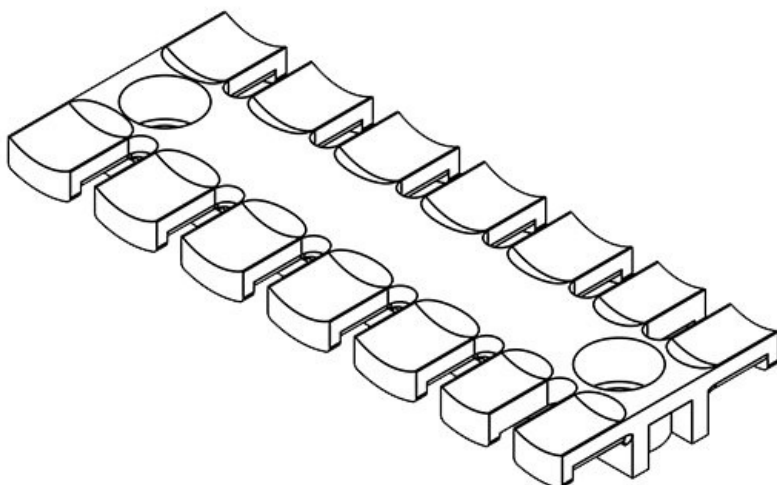
Part No.	32361	Height	10,2 mm
EAN	4251269301	Mounting height	10,2 mm
Package quantity	10	No. of teeth	4
For max. no. of cables	4	Insert bushing material	Brass
Length L1	59,5 mm	No. of screw holes	2
Length L2	43,5 mm	Diam. of screw holes	5,2 mm
Width	40 mm		

ZL 70 MS M5

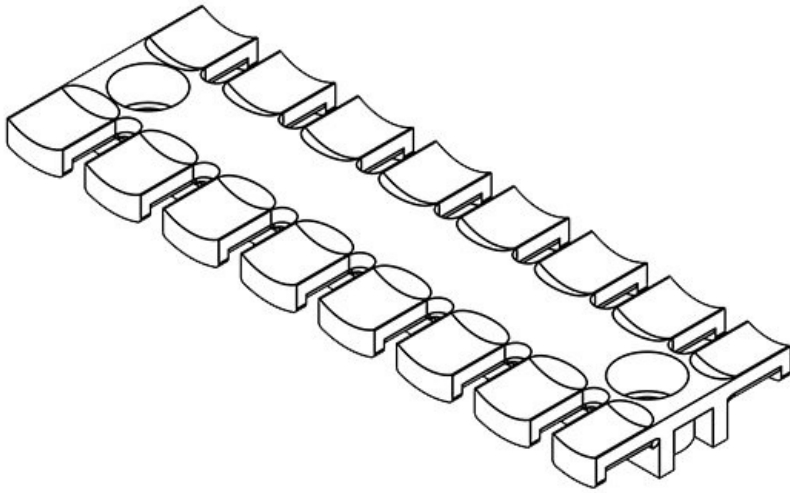
Part No.	32362	Height	10,2 mm
EAN	4251269301	Mounting height	10,2 mm
	346		
Package quantity	10	No. of teeth	5
For max. no. of cables	5	Insert bushing material	Brass
Length L1	69 mm	No. of screw holes	2
Length L2	43,5 mm	Diam. of screw holes	5,2 mm
Width	40 mm		

ZL 87 MS M5

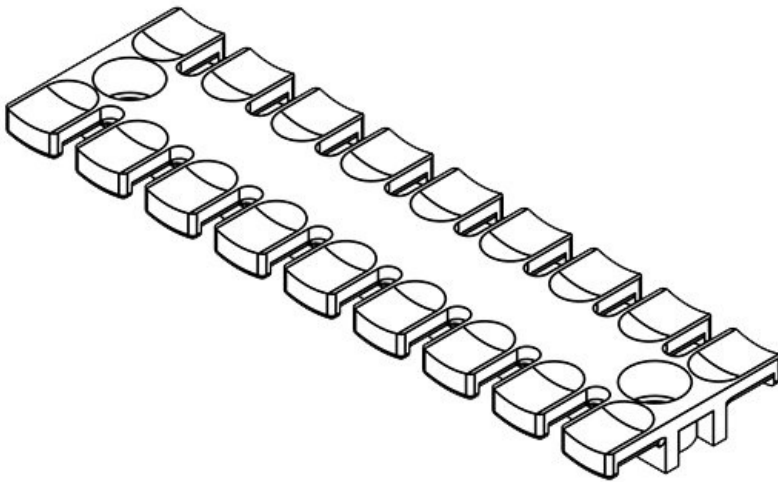
Part No.	32363	Height	10,2 mm
EAN	4251269301	Mounting height	10,2 mm
	353		
Package quantity	10	No. of teeth	6
For max. no. of cables	6	Insert bushing material	Brass
Length L1	86,5 mm	No. of screw holes	2
Length L2	68 mm	Diam. of screw holes	5,2 mm
Width	40 mm		

ZL 103 MS M5

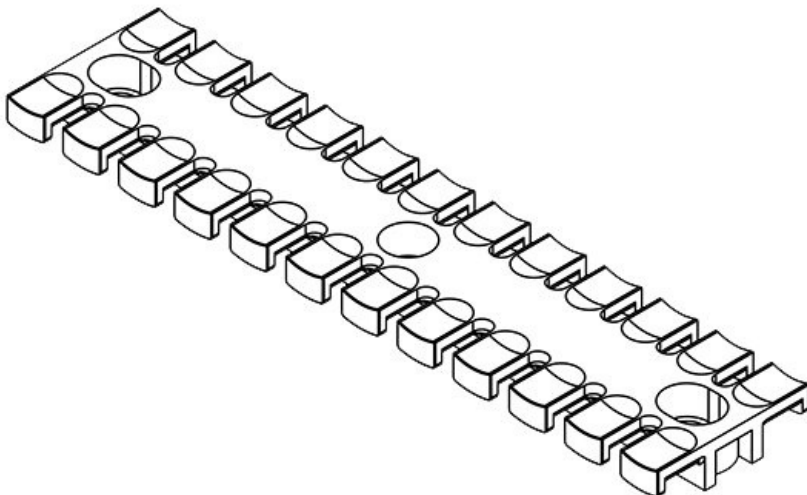
Part No.	32364	Height	10,2 mm
EAN	4251269301	Mounting height	10,2 mm
	360		
Package quantity	10	No. of teeth	7
For max. no. of cables	7	Insert bushing material	Brass
Length L1	102,5 mm	No. of screw holes	2
Length L2	84 mm	Diam. of screw holes	5,2 mm
Width	40 mm		

ZL 121 MS M5

Part No.	32365	Height	10,2 mm
EAN	4251269301	Mounting height	10,2 mm
	377		
Package quantity	10	No. of teeth	8
For max. no. of cables	8	Insert bushing material	Brass
Length L1	121 mm	No. of screw holes	2
Length L2	102,5 mm	Diam. of screw holes	5,2 mm
Width	40 mm		

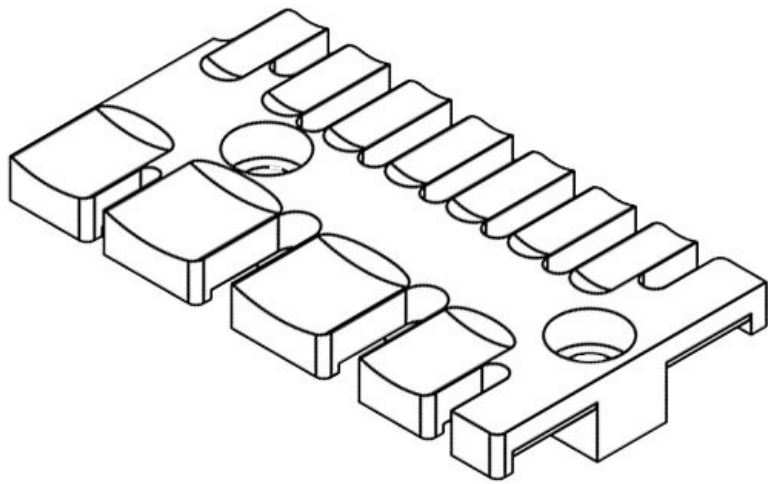
ZL 140 MS M5

Part No.	32366	Height	10,2 mm
EAN	4251269301	Mounting height	10,2 mm
	384		
Package quantity	10	No. of teeth	9
For max. no. of cables	9	Insert bushing material	Brass
Length L1	139,5 mm	No. of screw holes	2
Length L2	121 mm	Diam. of screw holes	5,2 mm
Width	40 mm		

ZL 180 MS M5

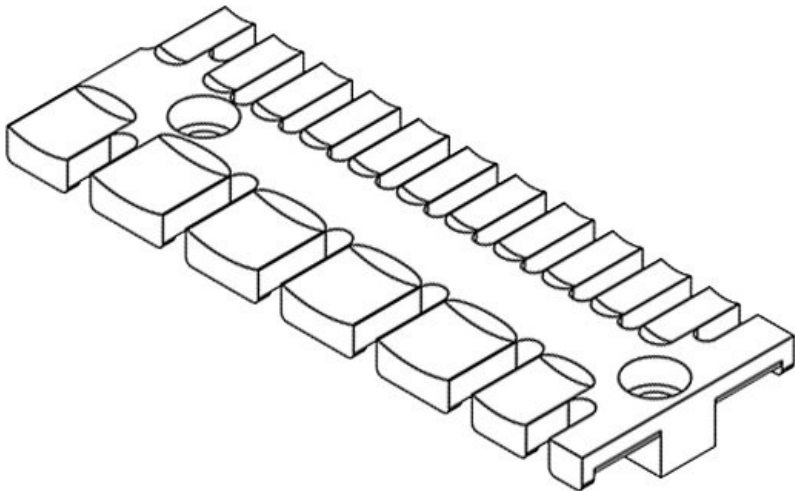
Part No.	32367	Height	11 mm
EAN	4251269301	Mounting height	11 mm
	391		
Package quantity	10	No. of teeth	12
For max. no. of cables	12	Insert bushing material	Brass
Length L1	180 mm	No. of screw holes	3
Length L2	157 mm	Diam. of screw holes	5,2 mm
Width	42 mm		

ZL 03



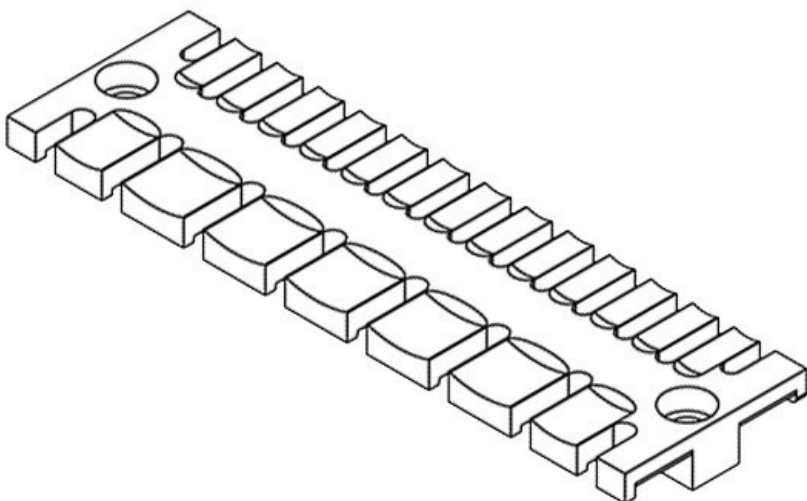
Part No.	32112	Height	9,3 mm
EAN	4251269300	No. of teeth	4
	806	No. of teeth	7
Package quantity	10	(slim)	
For max. no. of cables	7	Diam. of screw	5,5 mm
Length L1	63,4 mm	holes	
Length L2	42 mm		
Width	35 mm		

ZL 04



Part No.	32114	Height	9,3 mm
EAN	4251269300	No. of teeth	6
	813	No. of teeth	11
Package quantity	10	(slim)	
For max. no. of cables	11	Diam. of screw	5,5 mm
Length L1	95 mm	holes	
Length L2	74,5 mm		
Width	35 mm		

ZL 05



Part No.	32116	Height	10 mm
EAN	4251269300	No. of teeth	7
	820	Diam. of screw	5,5 mm
Package quantity	10	holes	
For max. no. of cables	13		
Length L1	119 mm		
Length L2	108 mm		
Width	35 mm		

